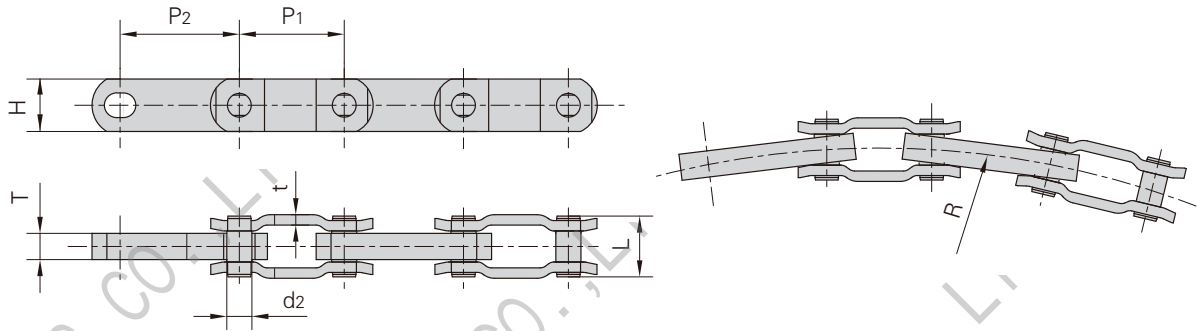
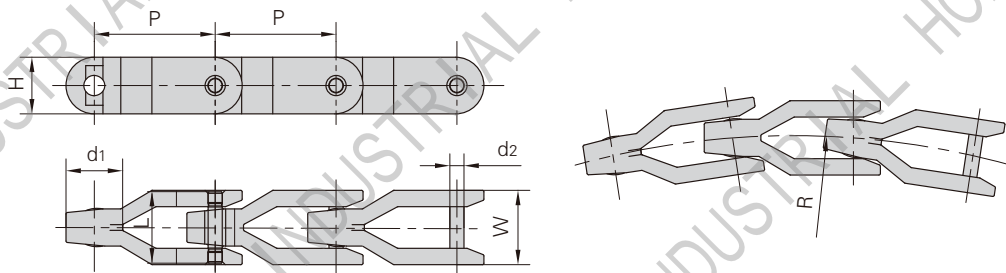


## DOUBLE FLEX CHAINS



| Chain No. | Pitch | Pitch | Thickness of inner plates | Pin diameter | Pin length | Plate dimension |     | Side bow radius | Tensile strength | Average tensile strength | Weight per meter |
|-----------|-------|-------|---------------------------|--------------|------------|-----------------|-----|-----------------|------------------|--------------------------|------------------|
|           | P1    | P2    |                           |              |            | H               | t   |                 |                  |                          |                  |
|           | mm    | mm    |                           |              |            | mm              | mm  |                 |                  |                          |                  |
| 3500      | 63.5  | 76.2  | 15.9                      | 14.27        | 37.0       | 32.0            | 6.3 | 508.0           | 160.0/36363      | 196.0                    | 5.14             |



| Chain No. | Pitch | Pin diameter | Pin length | Plate dimension |           |      | Side bow radius | Tensile strength | Weight per meter |
|-----------|-------|--------------|------------|-----------------|-----------|------|-----------------|------------------|------------------|
|           | P     |              |            | H ( max )       | W ( max ) | d1   |                 |                  |                  |
|           | mm    |              |            | mm              | mm        | mm   |                 |                  |                  |
| CC1400    | 81.3  | 9.5          | 48.0       | 38.5            | 50.0      | 38.0 | 500             | 30.0/6818        | 1.99             |